

Gama de Producto: WP
 Código de Producto: WP-E2X36W
 Equipo Hermético Industrial 2x36W T8 1200mm
 IP65, 220V (Sin Balastro, Sin Lámpara)

NAVIA[®]
 LED lighting



Presentación

Luminaria especialmente diseñada para ambientes donde exista humedad, polvo o vapor.

Compatible con lámparas fluorescente o LED.

PROCEDENCIA



CERTIFICACIONES



ISO 9001:2015 certified by DAS

CARACTERISTICAS:



IP 65 IK 08 G13 T8 Bornera Conexión

Compatible:

18W LED 36W FLUO

ESPECIFICACIONES TÉCNICAS:

Código	Material	Capacidadde tubos	Clips	Incluye	Dimensiones
WP-E2X36W	ABS y Policarbonato	2 unid 18W LED o 36W fluorescente	10	Prensaestopas y Manual de montaje	126 x 10.3 x 6.8 cm

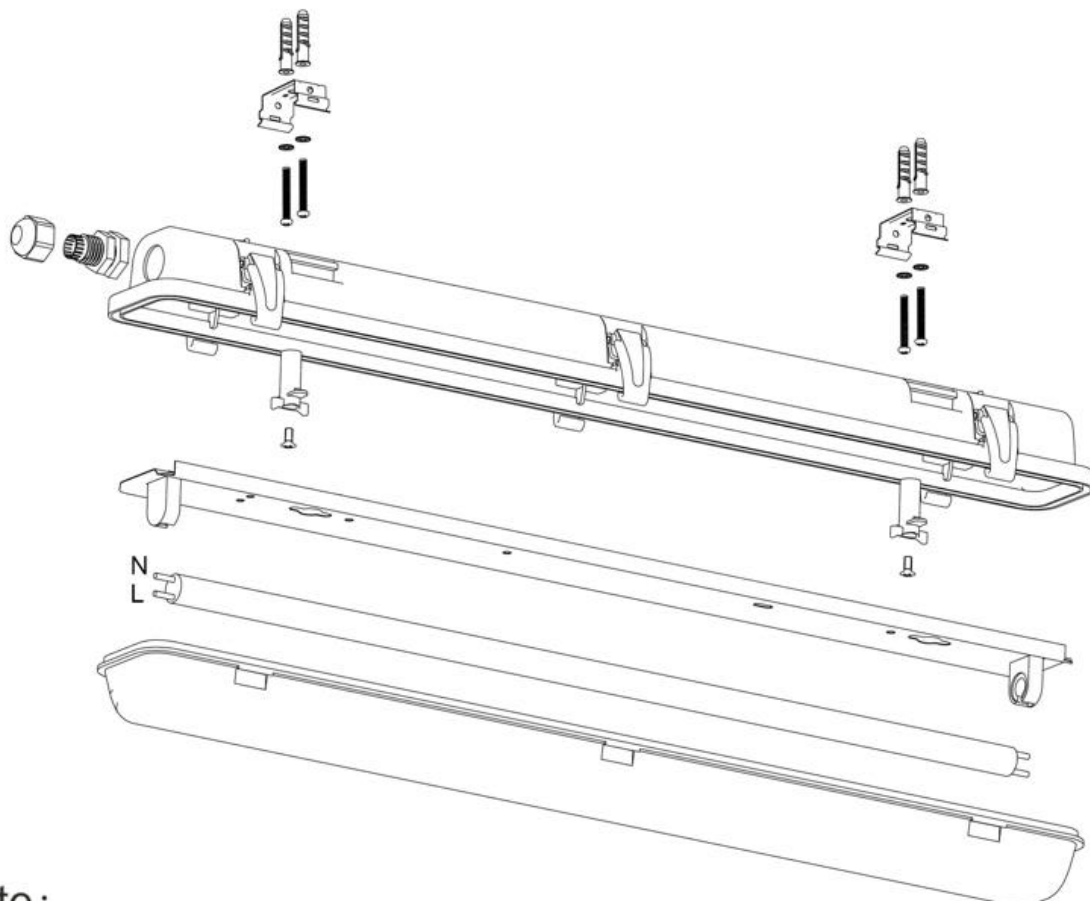
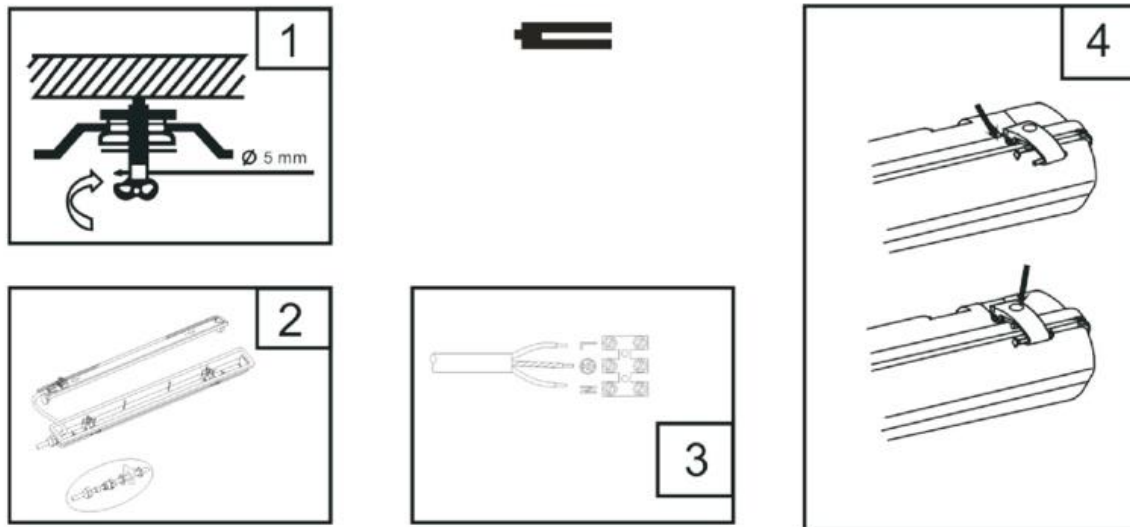
APLICACIONES:



DIMENSIONES:



Instruction Manual



Note:

1. It is recommend that luminaires installed and fitted by a qualified electrician ensuring the installation complies to the current building regulations.



NAVIA®

LED lighting

NAVIA® LED lighting		
WP-E 1xT8/60CM	1x9W	T8 - GXLT101
WP-E 2xT8/60CM	2x9W	T8 - GXLT101
WP-E 1xT8/120CM	1x18W	T8 - GXLT102
WP-E 2xT8/120CM	2x18W	T8 - GXLT102
WP-E 1xT8/150CM	1x24W	T8 - GXLT103
WP-E 2xT8/150CM	2x24W	T8 - GXLT103

CLASSIFICATION AND ASSIGNMENT

Luminaire for ceiling or wall mounting. Designed for single-sided powered LED T8 tubes. The product is intended for professional / investment use in areas of industrial, warehouse, retail and so on, not intended for habitation. Also for use outside of buildings.

EXPLANATION OF USED SIGNS AND SYMBOLS

- S1 Nominal voltage, frequency.
 - S2 Dedicated power of the light source.
 - S3 First class protection against electric shock.
 - S4 The luminaire dustproof, resistant against water jets (IP 65).
 - S5 Environment of operating temperature range.
 - S6 Socket.
 - S7 LED tube.
 - S8 Designed to be mounted on the ceiling or wall.
 - S9 Product for industrial or general use inside or outside buildings.
 - S10 Replace cracked or damaged protective cover.
 - S11 The symbol describes the minimal distance of a light fixture from the spots and objects that it's illuminating.
 - S12 Complies with the requirements of the CE conformity assessment for safe application within the European Union.
 - S13 Complies with the requirements of the RoHS (Restriction of Hazardous Substances) directive according to EU regulations.
- O1-O2 Please consult the section ENVIRONMENTAL PROTECTION.

SAFETY INSTRUCTIONS / ASSEMBLY / INSTALLATION

1. Prior to beginning the installation, familiarise yourself with the manual.
2. Installation and applicability assessment for the specific conditions need to be carried out by appropriately qualified personnel.
3. The product may not be installed on the surface or near flammable materials or objects, combustibles, etc. It is necessary to adhere to fire protection measures.
4. The product can not be used in an environment with gas, biogas, chemical fumes, chemicals and similar conditions affecting safety, product functionality and fire protection.
5. Protect the product from excessive heat, particularly during mounting on the ceiling under the roof, or against overheating due to the effect of other heaters, ventilation, pumps etc.
6. When installed outdoors, avoid the possibility of product exposure to direct sunlight.
7. In the case of use of the product in an environment with vibration should be carefully weigh the risks of use.
8. The product is suitable for mounting on flammable surfaces (the surface does not ignite, eg. Concrete, plaster, metal) normally flammable (flash point is at least equal to 200° C when no softening or deformation due to the temperature e.g. wood and wood materials, with a thickness greater than 2 mm)
9. Any activity during the installation, operation, adjustment or maintenance of the lamp must be performed after disconnecting the power supply. Must be avoided involvement Fixtures another person.
10. During the assembly and installation, it is necessary to adhere to the procedures in the drawings.
11. Prior to first use, it is necessary to make sure that the mechanical attachment, electrical connection and conditions of use are in order.

INSTRUCTIONS FOR OPERATION / MAINTENANCE

1. The product requires regular monitoring functionality and operation in accordance with regulations and legal regulations associated with the place and manner of use.
2. The product may be heated to a higher operating temperature. The product must not be covered over and overheat operating temperature treatment other heat source.
3. The product should not be used with cracked or broken cover (diffuser) or without him. It is necessary to immediately replace the cracked cover. If the cover is not fixed must be light disconnected from the network and not used.
4. Fixtures for cleaning Do not use chemical agents disturbing material lamps.

ENVIRONMENTAL PROTECTION / INSTRUCTIONS FOR PRODUCT USAGE

O1 Pay attention to cleanliness, environmental protection and waste management. The product designation is to be presented for the purpose of managed disposal-collection of electrical and electronic equipment. These products are not to be disposed of along with common or other waste, under penalty of a fine. These products may be harmful to the environment and human health and require further forms of processing, especially via recycling or disposal.

O2 Products with this marking must be delivered to a collection point for electrical and electronic equipment. Information regarding collection points for these products is provided by local authorities or vendors of this type of goods. When its lifetime is over, the equipment can also be turned over to the vendor when buying a new product, provided the quantity returned is not greater than the quantity purchased for the same type of equipment.

No changes or technical modifications are acceptable. Otherwise, all responsibilities are transferred to the person performing such changes. Failure to abide by this manual can cause fire, burning, electric shock, physical injuries and other material or immaterial damage. The supplier is not responsible in any way for the consequences of failing to abide by the recommendations provided via this manual, including improper assembly or installation, operation, insufficient maintenance and supervision during usage, or other consequences – among others the place and method of usage. We recommend that you keep this manual.

