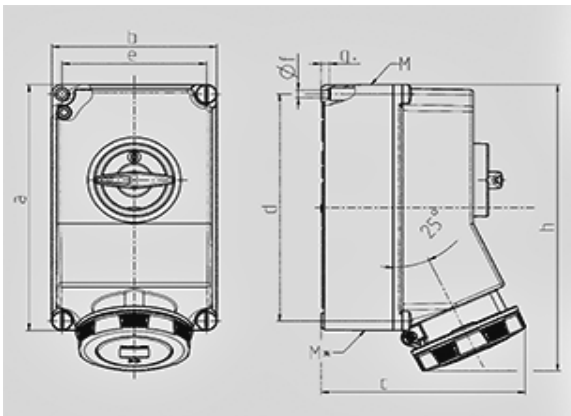


Wall mounted receptacle - Part no. 5744A


- screw terminals
- SoftCONTACT
- switched
- mechanical DUO-interlock
- receptacles can be padlocked

Technical information

Ampere	63A
Poles	4p
Voltage	440 V
Earth position	11 h
Hertz	50-60 Hz
Connection technology	Screw terminals
Contact	standard
Protection type	IP67



Drawing	Amp.	63		
		Poles		
1 MB 180		3	4	5
Dim. in mm	a	260	260	260
	b	160	160	160
	c	198	198	198
	d	240	240	240
	e	140	140	140
	f	8,1	8,1	8,1
	g.	8	8	8
	h	303	303	303
	M	40	40	40
	M*	2 x 40	2 x 40	2 x 40
Max. cable diam. (mm)		27	27	27
Terminal for cond. cross section (mm ²) min.-max.		6 — 25	6 — 25	6 — 25