

5278-C

Straight Blade Wiring Devices

Brand Features

Leviton's Straight Blade Power Inlets are suitable for industrial indoor and outdoor applications. Glass-filled thermoplastic cover and plate provides outstanding impact resistance and durability. Stainless steel external hardware resists corrosive effects of moisture as dual gaskets, one under plate and one under lid, provide for a superior weather-resistant fit.

Item Description

15 Amp, 125 Volt, NEMA 5-15P, 2P, 3W, Flanged Inlet Receptacle, Straight Blade, Industrial Grade, Grounding, , Back Wired, Thermoplastic Nylon Strap, - White

Technical Information

Electrical Specifications

Grounding: Grounding

Amperage: 15 Amp

Voltage: 125 Volt

Pole: 2

Wire: 3

Temperature Rise: Max 30C after 250 cycles OL at 200 percent rated current

Dielectric Voltage: Withstands 2000V per UL498

Current Interrupting: Certified for current interrupting at full rated current

Mechanical Specifications

Terminal ID: Brass-Hot, Green-Ground, Silver-Neutral

Terminal Accom.: 18-10 AWG

Product ID: Ratings and NEMA I.D. permanently marked on device

Product Features

NEMA: 5-15P

Termination: Back

Face Material: Nylon

Strap Material: Thermoplastic Nylon

Color: White

Environmental Specifications

Flammability: Rated V-2 per UL94

Operating Temperature: -40C to 60C

Material Specifications

Body Material: Super Tough Nylon

Wire Module: Nylon

Blades/Contacts: Solid Brass

Terminal Screws: Brass

Assembly Screws: Steel, Zinc Plated

Color: White

Standards and Certifications

NEMA: WD-6

ANSI: C-73

UL 498: File E13399

UL Fed Spec WC-596: File E13393

CSA C22.2 No. 42: File LR-406

NOM: 057

Warranty: Lifetime Warranty



Color:  White

UPC Code: 07847779539

Country of Origin: United States - *Eligible for ARRA funded projects

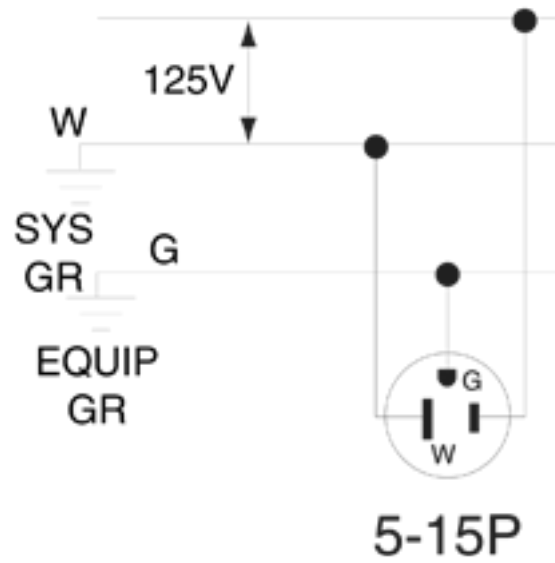
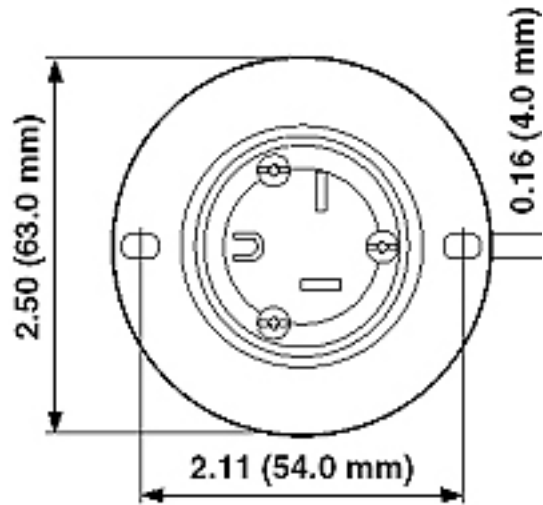
NEMA: 5-15P



*May include one or more globally sourced components.



Dimensional Diagram



5-15P

SPECIFICATION SUBMITTAL

| | | |
|-------------------------------------|--|----------------------|
| JOB NAME: <input type="text"/> | CATALOG NUMBERS: <input type="text"/> | |
| JOB NUMBER: <input type="text"/> | <input type="text"/> | <input type="text"/> |

Leviton Manufacturing Co., Inc.

201 North Service Road, Melville, NY 11747

Telephone: 1-800-323-8920 · FAX: 1-800-832-9538 · Tech Line (8:30AM-7:30PM E.S.T. Monday-Friday): 1-800-824-3005

Leviton Manufacturing of Canada, Ltd.

165 Hymus Boulevard, Pointe Claire, Quebec H9R 1E9 · Telephone: 1-800-469-7890 ·

FAX: 1-800-824-3005 · www.leviton.com/canada

Leviton S. de R.L. de C.V.

Lago Tana 43, Mexico DF, Mexico CP 11290 · Tel.: (+52)55-5082-1040 · FAX: (+52)5386-1797 · www.leviton.com.mx

Visit our Website at: www.leviton.com

© 2012-2015 Leviton Manufacturing Co., Inc. All rights reserved. Subject to change without notice.



Leviton has a global presence.

If you would like to know where your local Leviton office is located please go to: www.leviton.com/international/contacts/

**Buy American Compliant Logo -- The American Recovery And Reinvestment Act of 2009 ("ARRA") provides federal grants and loans for projects throughout the country. Section 1605 of the Act, named the "Buy American" provision, requires that certain materials and manufactured products used in projects funded by the Act be manufactured in the United States. The appearance of the Recovery Act Logo in relation to a Leviton product is only intended to reflect that such product may be used in an ARRA funded project. It does not mean that such product or Leviton is sponsored or endorsed by, or that Leviton receives funds from, the federal government or the Recovery Accountability and Transparency Board. Nothing in Leviton's use of the logo is intended to suggest anything regarding the requirements for funding under ARRA.*